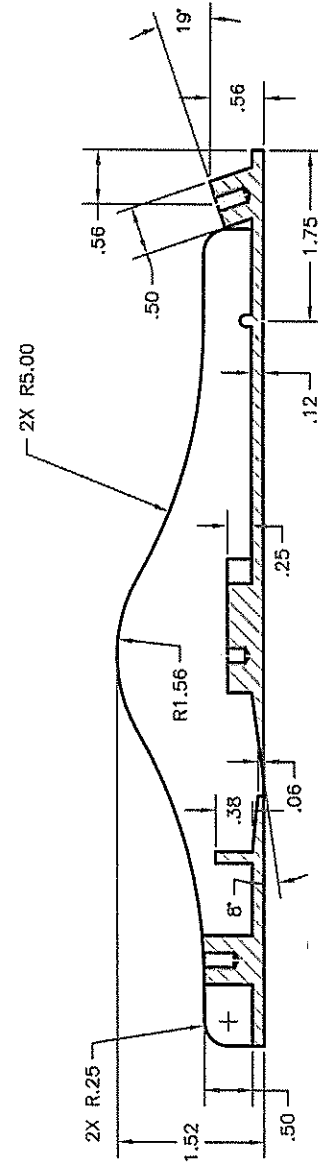
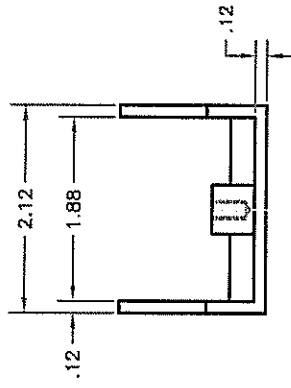
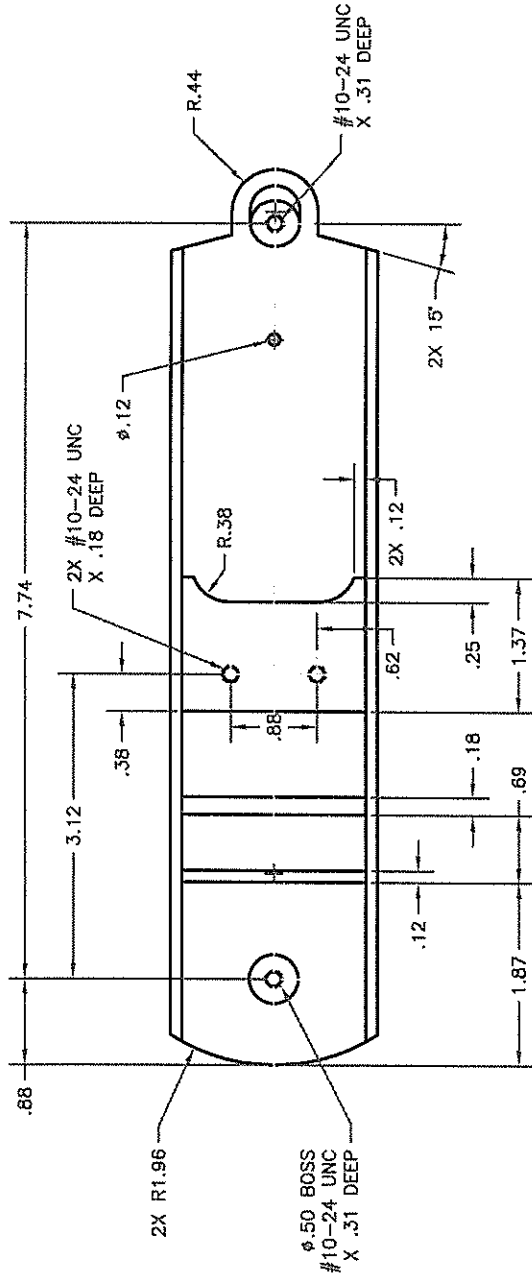


ITEM	QTY.	PART #	DESCRIPTION
1	1	D400L	BASE
2	1	D400K	MOUNTING PLATE
3	1	D400F	KNOB
4	1	D400A	GRIP
5	1	D400B	WEDGE IRON
6	1	D400C	WEDGE LEVER
7	1	D400C1	WEDGE SPRING
8	1	D400D	CAP IRON
9	1	D400E	BLADE
10	1	D400G	THUMB KNOB
11	1	D400H	PIVOT
12	1	D400I	ANGLE ADJUSTER
13	3	D400C2	PIN #.12 (CUT TO LENGTH)
14	2	D400F1	SCREW, PAN HD #10-24 UNC X .38 LG
15	1	D400F2	SCREW, TRUSS HD 1/4-20 UNC .88 LG
16	1	D400F3	SCREW, SLOTTED FILLISTER HD #10-24 UNC X 1.62 LG
17	1	D400F4	SCREW, SLOTTED FILLISTER HD #10-24 UNC X 3.75 LG
18	1	D400F5	THREADED STUD 1/4-24 UNF X 1.25 LG
19	1	D400F6	SCREW, PAN HD 5/16-18 UNC X .18 LG
20	1	D400F7	SCREW, FLAT HD #8-32 UNC X .25 LG

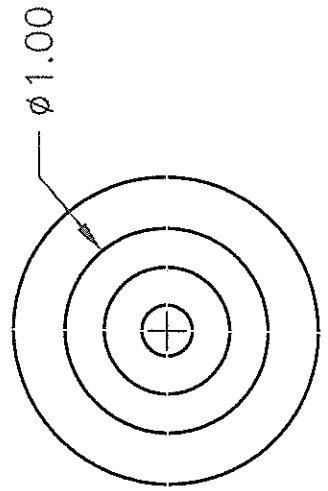
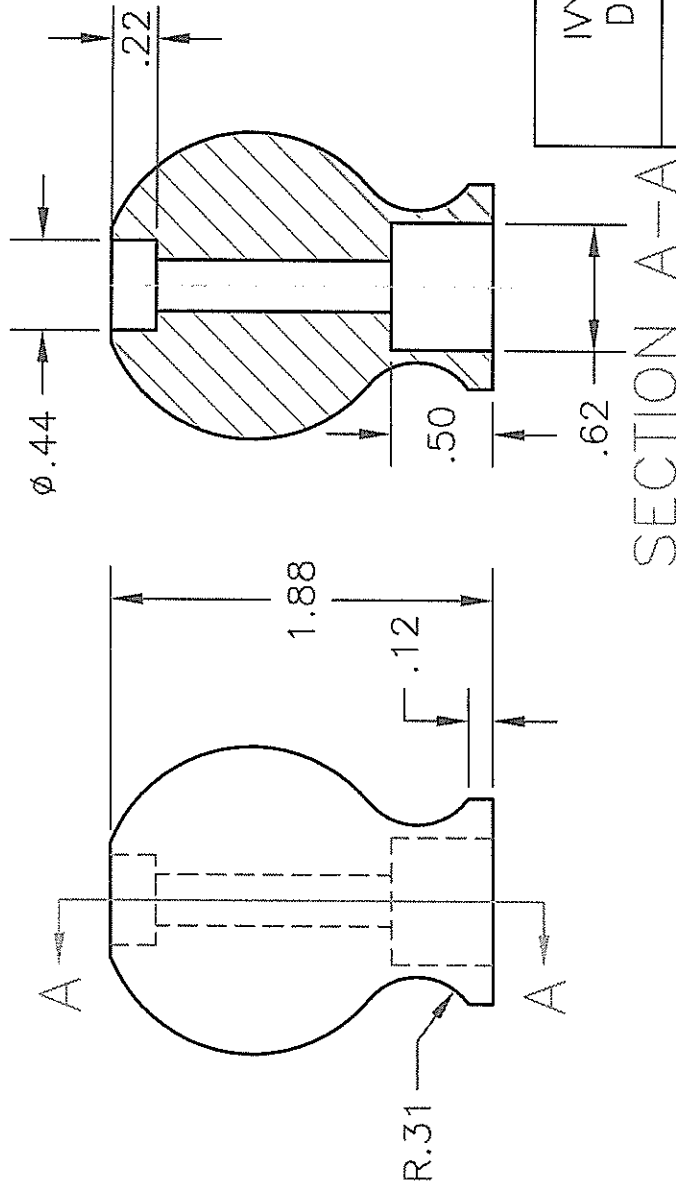
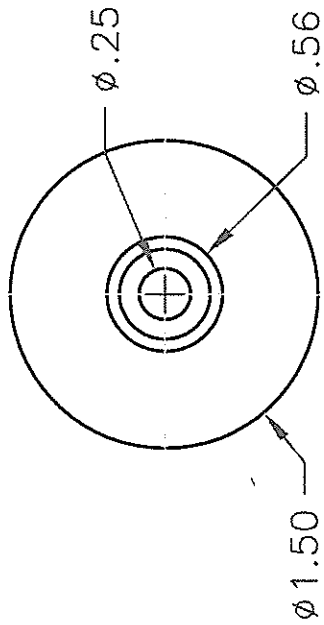
IVY TECH COMMUNITY COLLEGE
 DESN 113 INTERMEDIATE CAD

JACK PLANE
 ASSEMBLY

BY: D. ROGERS	AUTOCAD 2012
DATE: 5/07/2013	PART: # D400
SCALE: 1:1	REV:



IVY TECH COMMUNITY COLLEGE DESN 113 INTERMEDIATE CAD	
BASE, JACK PLANE	
BY: D. ROGERS	AUTOCAD 2012
DATE: 4/27/2013	PART: # D400L
SCALE: 1:1	REV:



IVY TECH COMMUNITY COLLEGE
 DESN 113 INTERMEDIATE CAD

KNOB, JACK PLANE

BY: D. ROGERS

AUTOCAD 2012

DATE: 4/26/2013

PART: # D400F

SCALE: 1:1

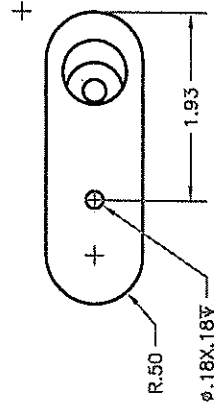
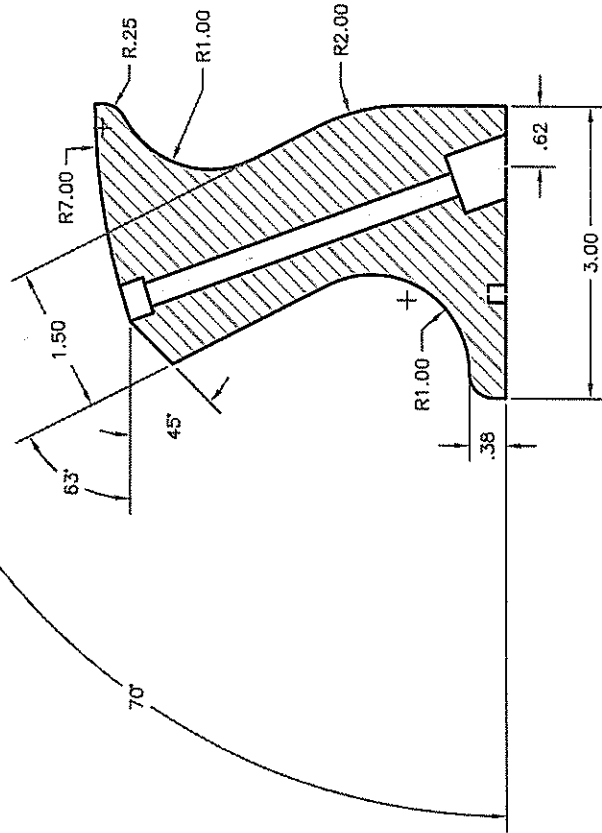
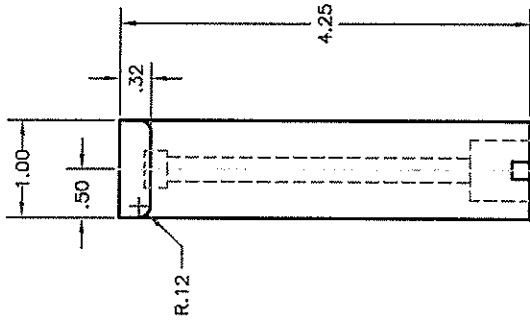
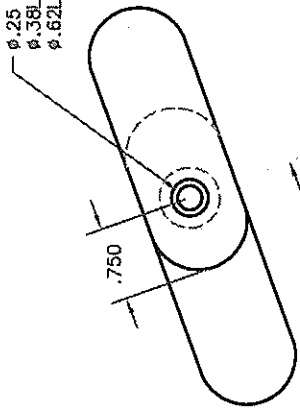
REV:

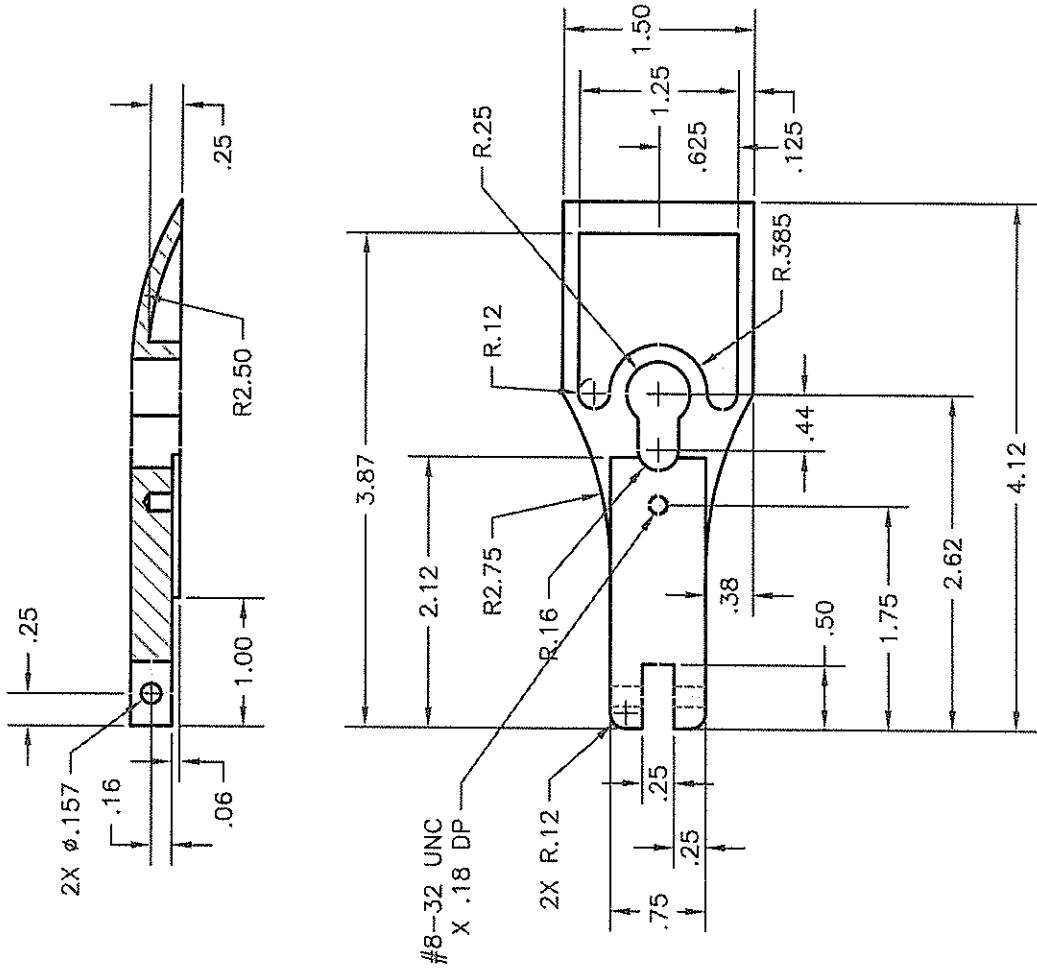
IVY TECH COMMUNITY COLLEGE
DESN 113 INTERMEDIATE CAD

GRIP, JACK PLANE

BY: D. ROGERS	AUTOCAD 2012
DATE: 4/25/2013	PART: # D400A
SCALE: 1:1	REV:

$\phi .25$ THRU
 $\phi .38$ | $\times .25$ NEAR SIDE
 $\phi .62$ | $\times .62$ FAR SIDE

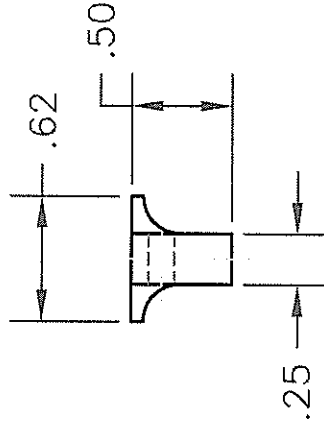
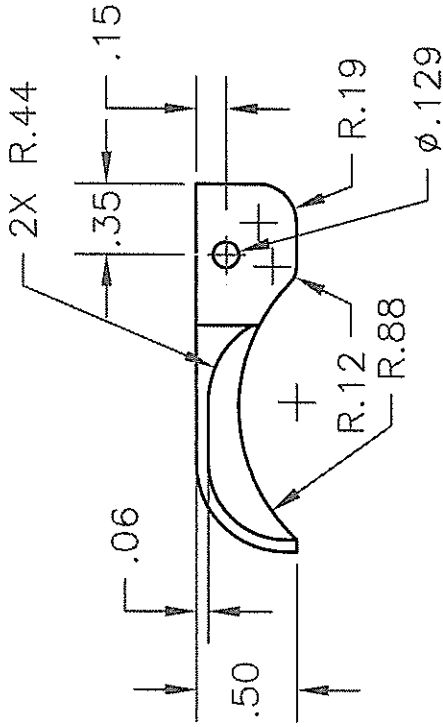
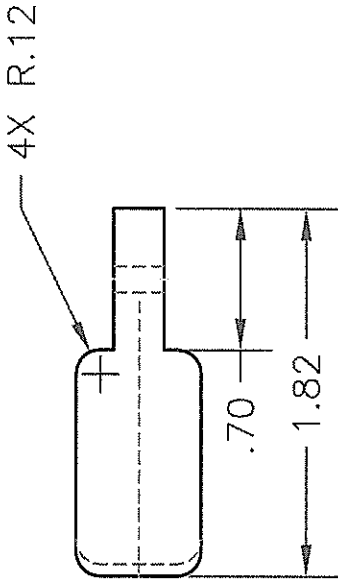




IVY TECH COMMUNITY COLLEGE
DESN 113 INTERMEDIATE CAD

WEDGE IRON, JACK PLANE

BY: D. ROGERS	AUTOCAD 2012
DATE: 4/27/2013	PART # D400B
SCALE: 1:1	REV:



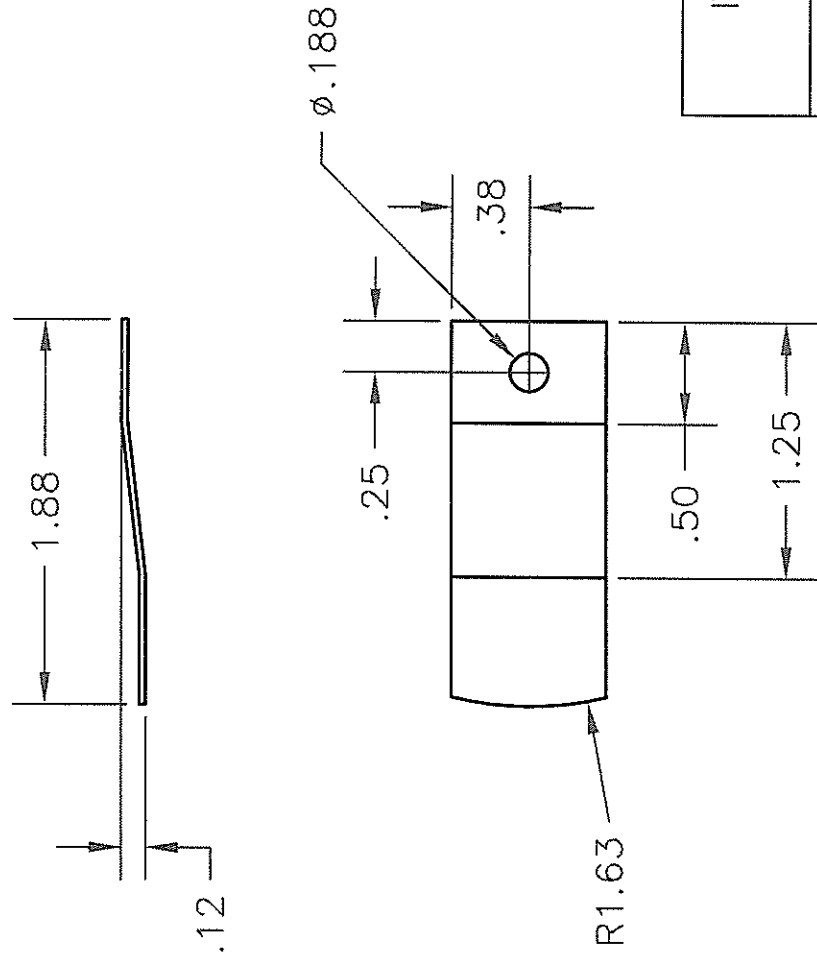
IVY TECH COMMUNITY COLLEGE
 DESN 113 INTERMEDIATE CAD

WEDGE LEVER, JACK PLANE

BY: D. ROGERS AUTOCAD 2012

DATE: 5/04/2013 PART: # D400C

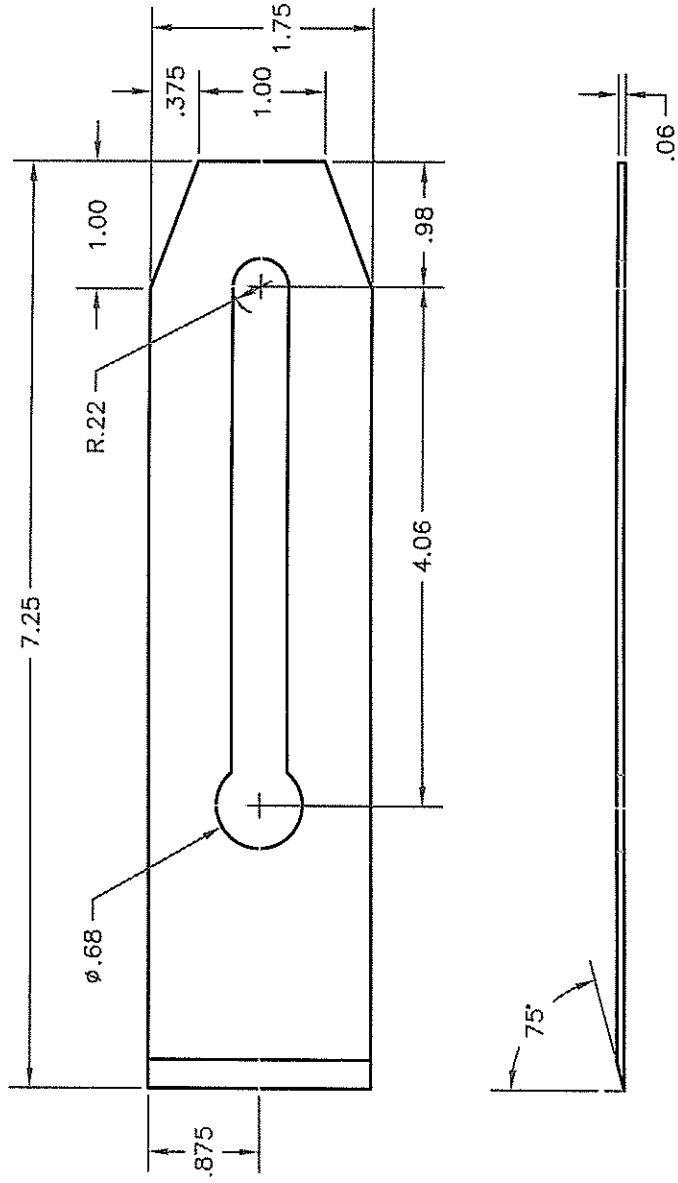
SCALE: 1:1 REV:



IVY TECH COMMUNITY COLLEGE
 DESN 113 INTERMEDIATE CAD

WEDGE SPRING,
 JACK PLANE

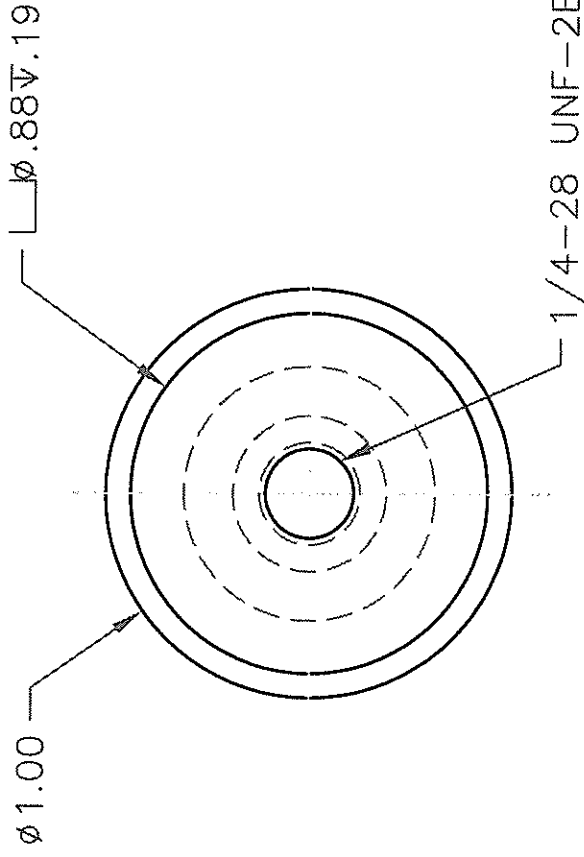
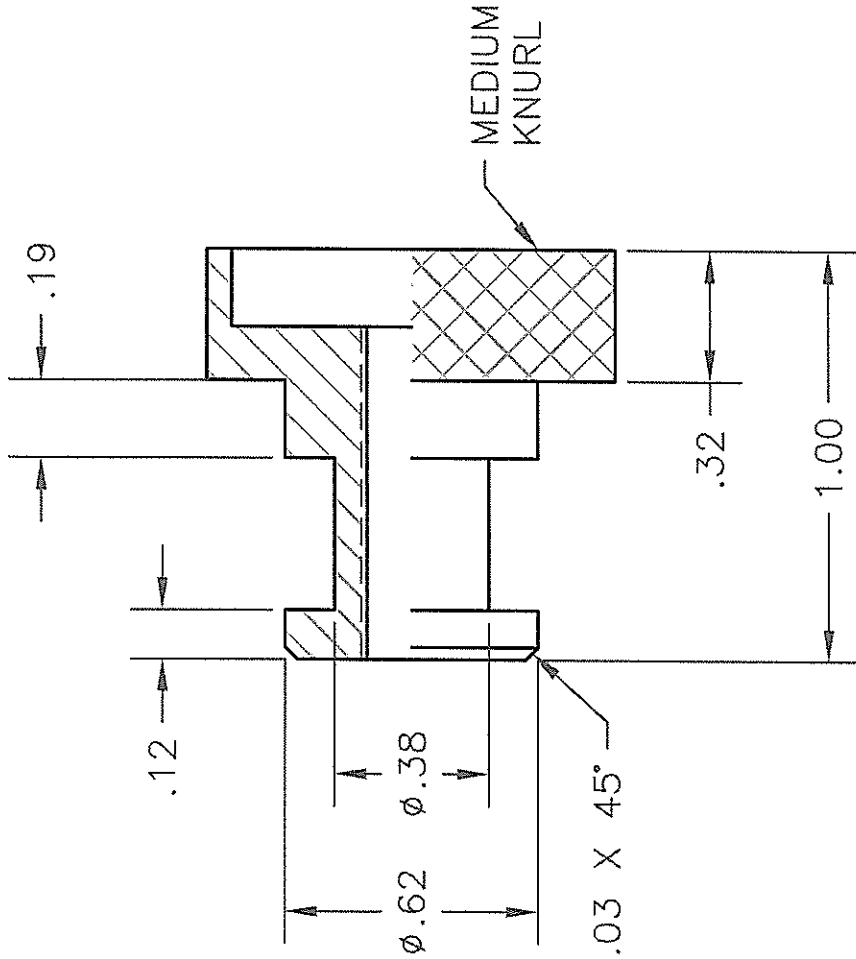
BY: D. ROGERS	AUTOCAD 2012
DATE: 4/30/2013	PART: # D400C1
SCALE: 1:1	REV:



IVY TECH COMMUNITY COLLEGE
DESN 113 INTERMEDIATE CAD

BLADE, JACK PLANE

BY: D. ROGERS	AUTOCAD 2012
DATE: 5/04/2013	PART # D400E
SCALE: 1:1	REV:



IVY TECH COMMUNITY COLLEGE
 DESN 113 INTERMEDIATE CAD

THUMB KNOB, JACK PLANE

BY: D. ROGERS

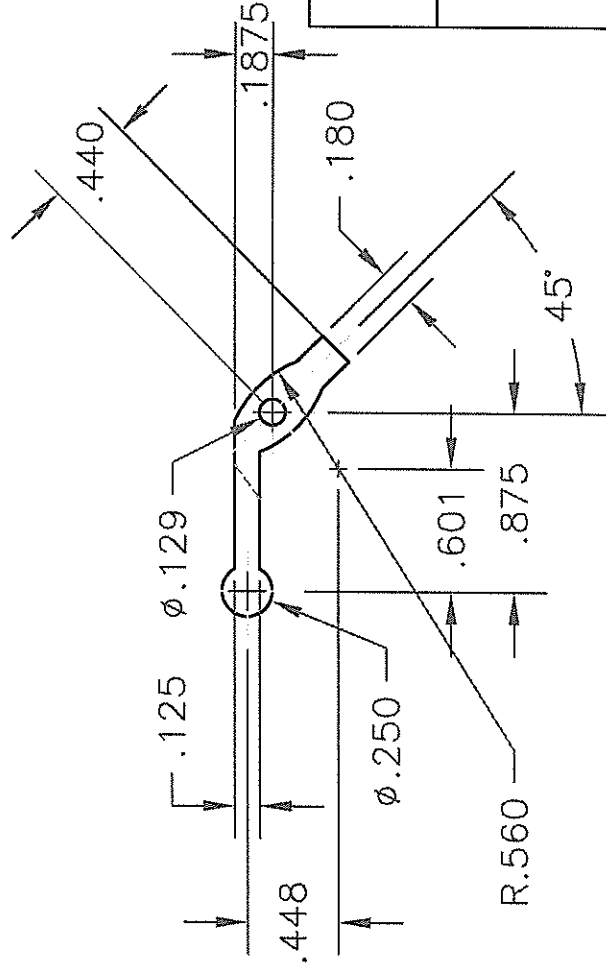
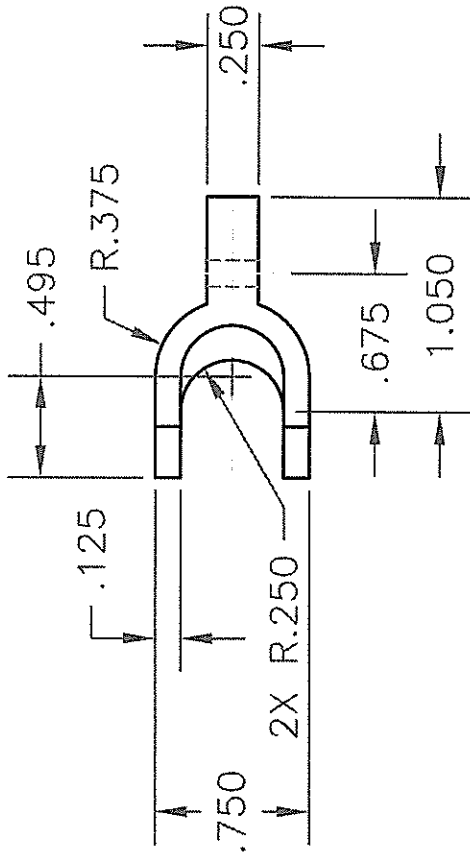
AUTOCAD 2012

DATE: 4/26/2013

PART: # D400G

SCALE: 1:2

REV:



IVY TECH COMMUNITY COLLEGE
DESN 113 INTERMEDIATE CAD

PIVOT, JACK PLANE

BY: D. ROGERS

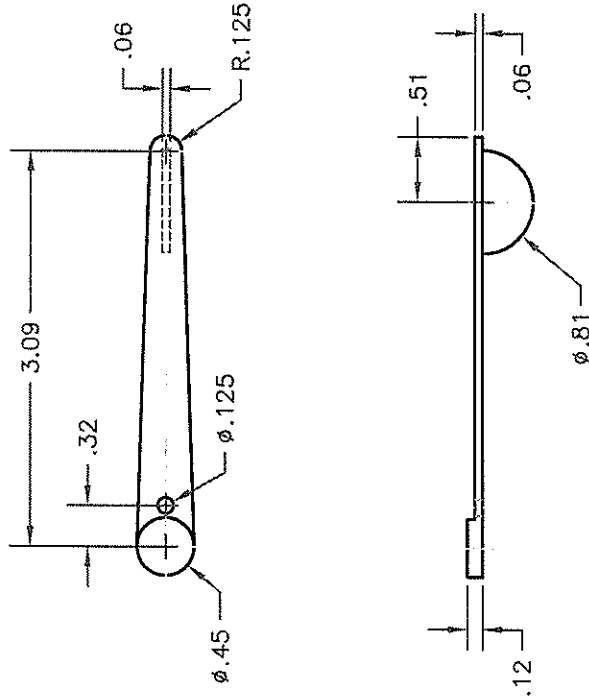
AUTOCAD 2012

DATE: 4/30/2013

PART: # D400H

SCALE: 1:1

REV:



IVY TECH COMMUNITY COLLEGE
DESN 113 INTERMEDIATE CAD

ANGLE ADJUSTER, JACK PLANE

BY: D. ROGERS	AUTOCAD 2012
DATE: 4/26/2013	PART # D400I
SCALE: 1:1	REV:

ITEM 13
D400C2

PIN

MATERIAL: STEEL



ITEM 16
D400F3

#10-24 UNC X 1.62 LG

SLOTTED FILLISTER HD SCREW



ITEM 19
D400F6

5/16-18 UNC X .18 LG

PAN HD SCREW



ITEM 14
D400F1

#10-24 UNC X .375 LG

PAN HD SCREW



ITEM 17
D400F4

#10-24 UNC X 3.75 LG

SLOTTED FILLISTER HD SCREW



ITEM 20
D400F7

#8-32 UNC X .25 LG

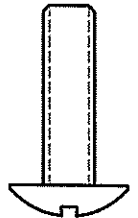
FLAT HD SCREW



ITEM 15
D400F2

#1/4-20 UNC X .875 LG

TRUSS HD SCREW



ITEM 18
D400F5

1/4-28 UNF X 1.25 LG

STUD



IVY TECH COMMUNITY COLLEGE
DESN 113 INTERMEDIATE CAD

JACK PLANE
HARDWARE

BY: D. ROGERS AUTOCAD 2012

DATE: 4/25/2013 PART:#D400HDWE

SCALE: 1:1 REV: